

**EVALUATION REPORT OF  
METAL SALES MANUFACTURING CORPORATION  
'NOM 0.032" THICK ALUMINUM VERTICAL SEAM PANEL'**

**FLORIDA BUILDING CODE 5<sup>TH</sup> EDITION (2014)  
FLORIDA PRODUCT APPROVAL  
FL 14645.7-R2  
ROOFING  
METAL ROOFING**

**Prepared For:  
Metal Sales Manufacturing Corporation  
545 South 3<sup>rd</sup> Street, Suite 200  
Louisville, KY 40202  
Telephone: (502) 855-4300  
Fax: (502) 855-4290**

**Prepared By:  
Bala Sockalingam, Ph.D., P.E.  
Florida Professional Engineer #62240  
1216 N Lansing Ave., Suite C  
Tulsa, OK 74106  
Telephone: (918) 492-5992  
FAX: (866) 366-1543**

**This report consists of  
Evaluation Report (3 Pages including cover)  
Installation Details (1 Page)**

**Report No. C2010-7  
Date: 3.30.15**

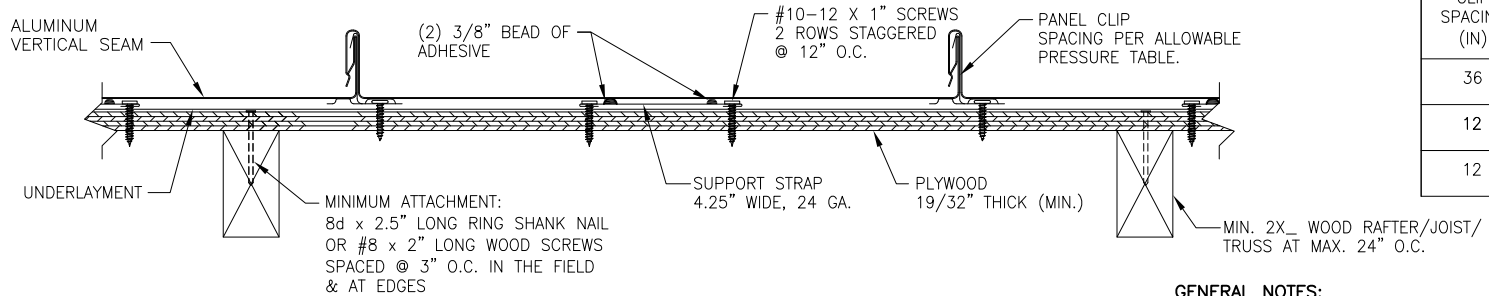
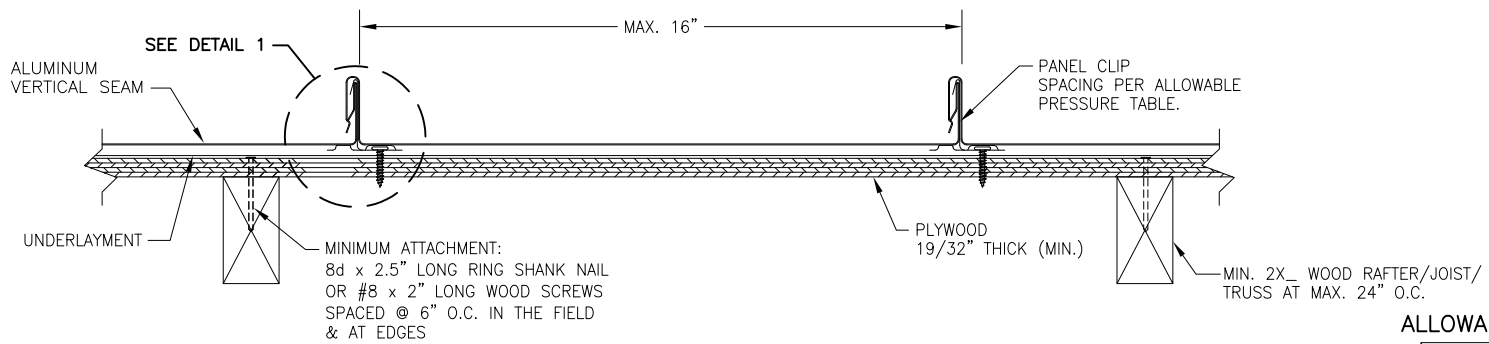


Manufacturer:	Metal Sales Manufacturing Corporation
Product Name:	Aluminum Vertical Seam
Panel Description:	Max. 16" wide coverage with 1.75" high ribs
Materials:	Nom. 0.032" thick (min.) 3004-H14 or 3105-H24 Alloy (ASTM B209).
Deck Description:	Min. 19/32" thick Plywood for new and existing constructions. Designed and installed as per FBC 2014.
Deck Attachment:	Minimum attachment: 8d x 2.5" long ring shank nails or #8 x 2" long wood screws @ 6" o.c. in the plywood field and edges. Deck fastener spacing @ 3" o.c. in the plywood field and edges for roof zones installed with support strap.
Underlayment:	Minimum underlayment as per FBC 2014 Section 1507.4.5.1
Slope:	1/4:12 or greater in accordance with FBC 2014 Section 1507.4.2
Allowable Uplift Load: (Factor of Safety = 2)	41.55 psf @ clip spacing of 36" o.c. 100.2 psf @ clip spacing of 12" o.c. 162.0 psf @ clip spacing of 12" o.c. with support strap
Fastener Pattern: At panel seam	Panel clip with (2) #10-12 pancake head screws per clip. Fastener shall be of sufficient length to penetrate through the deck a minimum of 3/8".
Support Strap:	4.25" wide, 24 ga., 50 ksi strap fastened to deck with 2 rows of #10-12 x 1" long pancake head screws at staggered 12" o.c. spacing. The strap is continuous over the entire corner or edge roof zones. Prior to the panel installation, two rows of 3/8" bead of adhesive are field applied along the length of the strap.
Sidelap Adhesive:	Schnee-Morehead SM7108 Permathane adhesive
Test Standards:	Roof assembly tested in accordance with UL580-94 (Rev 98) 'Uplift Resistance of Roof Assemblies' & UL1897-98 'Uplift Tests for Roof Covering Systems' or TAS 125-03 'Standard Requirements for Metal Roofing Systems'.
Code Compliance:	The product described herein has demonstrated compliance with FBC 2014 Section 1507.4
Product Limitations:	Design wind loads shall be determined for each project in accordance with FBC 2014 Section 1609 or ASCE 7-10 using allowable stress

design. The maximum fastener spacing listed herein shall not be exceeded. This evaluation report is not applicable in High Velocity Hurricane Zone. Fire classification is not within scope of this Evaluation Report. Refer to FBC 2014 Section 1505 and current approved roofing materials directory or ASTM E108/UL790 report from an accredited laboratory for fire ratings of this product.

Supporting Documents: TAS 125 Test Report  
Farabaugh Engineering and Testing Inc  
Project No. T158-14, Reporting Date 4/17/14

UL580/UL1897 Test Reports  
Farabaugh Engineering and Testing Inc  
Project No. T210-11, Reporting Date 5/31/11



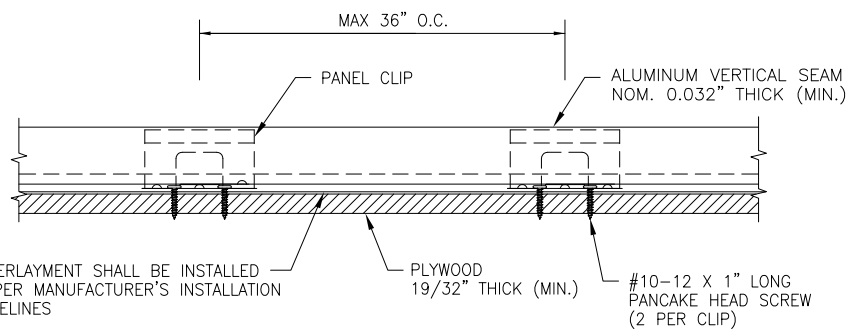
**ALLOWABLE UPLIFT PRESSURE**

CLIP SPACING (IN)	PRESSURE (PSF)	SUPPORT STRAP
36	41.55	NO
12	100.2	NO
12	162.0	WITH

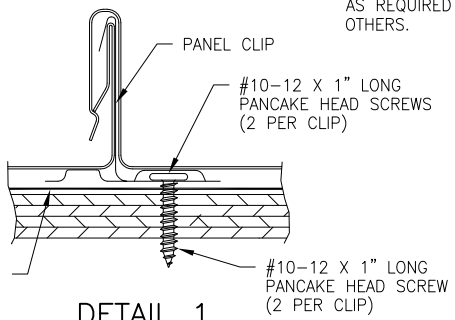
**PANEL INSTALLATION X-SECTION**

**GENERAL NOTES:**

1. ARCHITECTURAL ROOF PANEL HAS BEEN DESIGNED IN ACCORDANCE WITH THE FLORIDA BUILDING CODE (FBC).
2. ROOF PANELS SHALL BE NOM. 0.032" THICK (MIN.) ALUMINUM. MAXIMUM COVERING WIDTH OF PANEL = 16".
3. THE ROOF PANELS SHALL BE INSTALLED OVER SHEATHING & STRUCTURE AS SPECIFIED ON THIS DRAWING.
4. REQUIRED DESIGN WIND LOADS SHALL BE DETERMINED FOR EACH PROJECT. THIS PANEL SYSTEM MAY NOT BE INSTALLED WHEN THE REQUIRED DESIGN WIND LOADS ARE GREATER THAN THE ALLOWABLE WIND LOADS SPECIFIED ON THIS DRAWING.
5. ALL FASTENERS MUST BE IN ACCORDANCE WITH THIS DRAWING & THE FLORIDA BUILDING CODE. IF A DIFFERENCE OCCURS BETWEEN THE MINIMUM REQUIREMENTS OF THIS DRAWING & THE CODE, THE CODE SHALL CONTROL.
6. RAFTERS/JOISTS/TRUSSES MUST BE DESIGNED TO WITHSTAND WIND LOADS AS REQUIRED FOR EACH APPLICATION AND ARE THE RESPONSIBILITY OF OTHERS.



**TYPICAL CLIP SPACING**



**DETAIL 1**

DRAWING NO.	2010-7	REV.	1	PAGE NO.	1
<p><b>ALUMINUM VERTICAL SEAM PANEL</b></p> <p>CONSULTANTS: <b>BALA SOCKALINGAM, PH.D., P.E.</b>      MANUFACTURER: <b>METAL SALES MANUFACTURING CORP.</b></p> <p>1216 N LANSING AVE, SUITE C      545 SOUTH 3RD ST., SUITE 200  TULSA, OK 74106      LOUISVILLE, KY 40202  PHONE: 918-492-5992      FAX: 866-366-1543      502-855-4300</p>					
DRAWING TITLE		REVISION DESCRIPTION			
DATE		DATE			
BY		BY			
NO.		NO.			
DRAWN BY: B.S.		CHECKED BY: D.S.			
PLOT:		DATE: 3/30/15			