

**EVALUATION REPORT OF
METAL SALES MANUFACTURING CORPORATION
'26 GA. STILE PANEL'**

**FLORIDA BUILDING CODE 5TH EDITION (2014)
FLORIDA PRODUCT APPROVAL
FL 11560.9-R2
ROOFING
METAL ROOFING**

**Prepared For:
Metal Sales Manufacturing Corporation
545 South 3rd Street, Suite 200
Louisville, KY 40202
Telephone: (502) 855-4300
Fax: (502) 855-4290**

**Prepared By:
Bala Sockalingam, Ph.D., P.E.
Florida Professional Engineer #62240
1216 N Lansing Ave., Suite C
Tulsa, OK 74106
Telephone: (918) 492-5992
FAX: (866) 366-1543**

**This report consists of
Evaluation Report (3 Pages including cover)
Installation Details (2 Pages)**

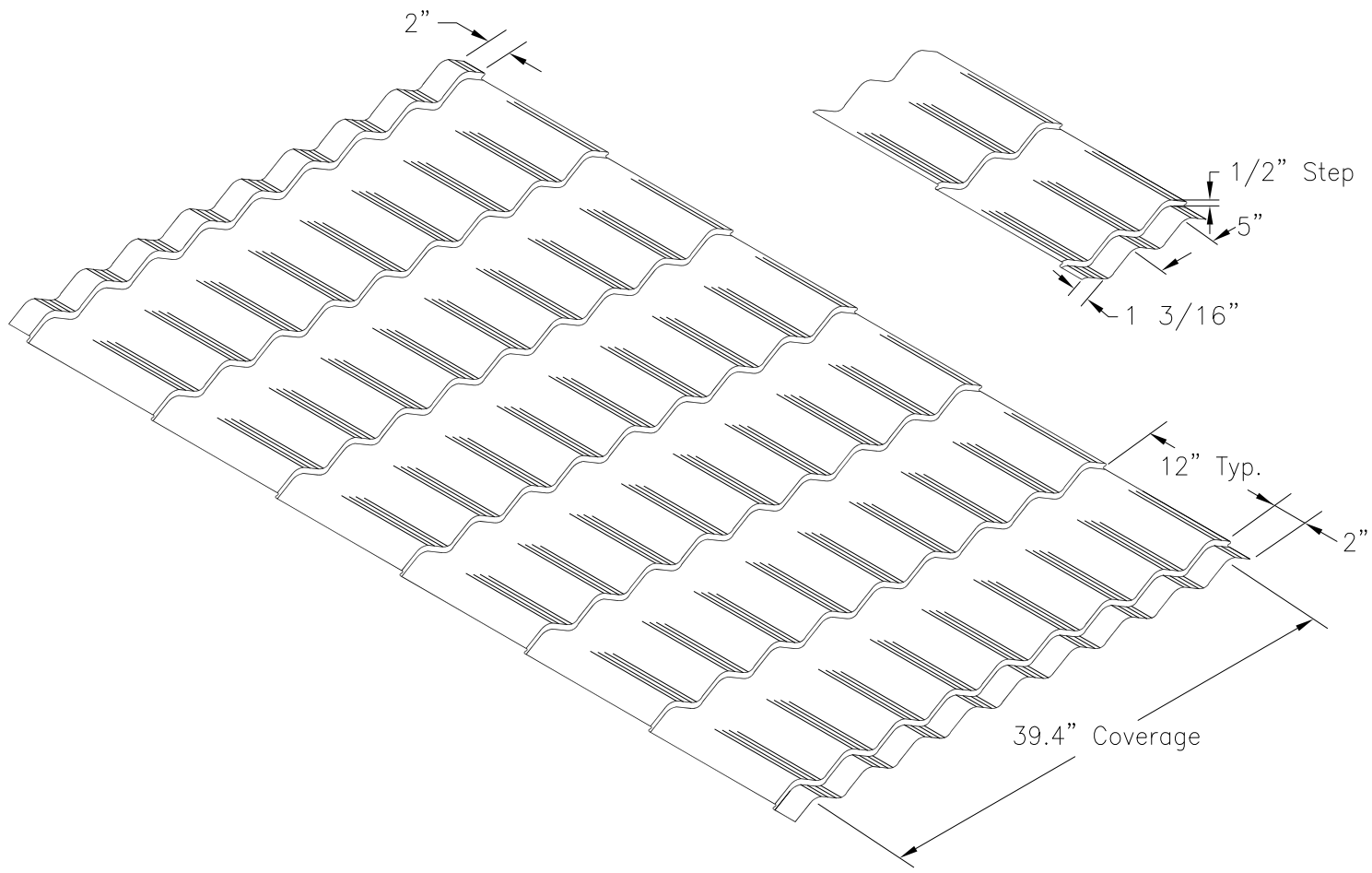
**Report No. C2009-9
Date: 3.27.15**



Manufacturer:	Metal Sales Manufacturing Corporation
Product Name:	Stile
Panel Description:	39.4" wide coverage with (9) 1-3/16" high, 5" wide and 12" long simulated tile profile
Materials:	Min. 26 ga., 40 ksi steel. Galvanized coated steel (ASTM A653) or Galvalume coated steel (ASTM A792) or painted steel (ASTM A755).
Deck Description:	Min. 19/32" thick plywood for new and existing constructions. Designed and installed as per FBC 2014.
Deck Attachment: (Minimum)	8d x 2.5" long ring shank nails or #8 x 2" long wood screws @ 6" o.c. in the plywood field and edges
Underlayment:	Minimum underlayment as per FBC 2014 Section 1507.4.5.1
Slope:	1/2:12 or greater in accordance with FBC 2014 Section 1507.4.2
Design Uplift Pressure: (Factor of Safety = 2)	50.4 psf @ fastener spacing of 36" o.c. (Fastener Pattern 1) 106.8 psf @ fastener spacing of 24" o.c. (Fastener Pattern 1) 149.6 psf @ fastener spacing of 12" o.c. (Fastener Pattern 2)
Fastener Pattern:	
1 At panel ends:	1/4"-14 x 1-1/2" long ABMP fasteners @ each valley
At intermediate:	1/4"-14 x 1-1/2" long ABMP fasteners @ each other valley
2 At panel ends:	1/4"-14 x 1-1/2" long ABMP fasteners @ each valley
At intermediate:	1/4"-14 x 1-1/2" long ABMP fasteners @ each valley
Sidelap Attachment:	1/8" Diameter x 3/16" long steel pop rivets @ 12" o.c.
Test Standards:	Roof assembly tested in accordance with TAS 125-03 'Standard Requirements for Metal Roofing Systems'.
Code Compliance:	The product described herein has demonstrated compliance with FBC 2014 Section 1507.4
Product Limitations:	Design wind loads shall be determined for each project in accordance with FBC 2014 Section 1609 or ASCE 7-10 using allowable stress design. The maximum fastener spacing listed herein shall not be exceeded. This evaluation report is not applicable in High Velocity Hurricane Zone. Refer to current NOA for use of this product in High Velocity Hurricane Zone. Fire classification is not within scope of this Evaluation Report. Refer to FBC 2014 Section 1505 and current

approved roofing materials directory or ASTM E108/UL790 report from an accredited laboratory for fire ratings of this product.

Supporting Documents: TAS 125-03 Test Reports
Farabaugh Engineering and Testing Inc
Project No. T202-05, Reporting Date 10/3/05
Project No. T209-07, Reporting Date 6/14/07, Revised Date 6/27/07



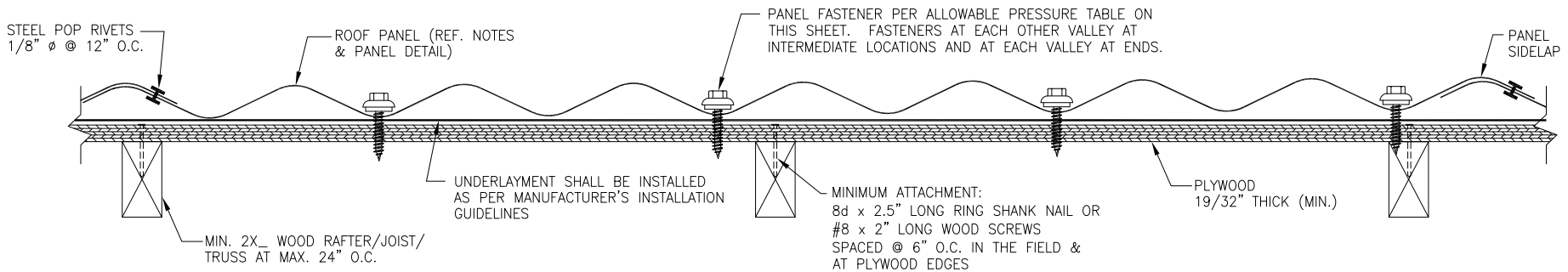
TYPICAL PANEL PROFILE

NO.	REVISION DESCRIPTION	BY	DATE

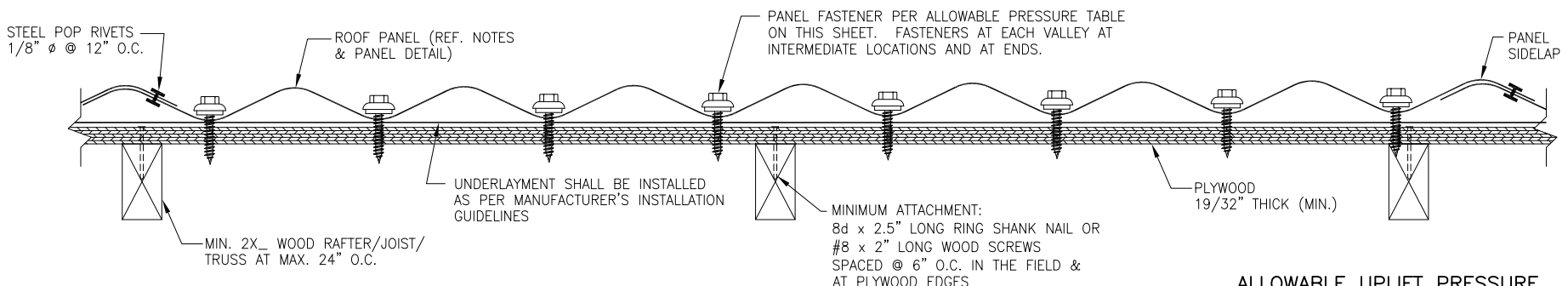
DRAWING TITLE		STILE METAL ROOF PANEL	
CONSULTANTS	MANUFACTURER	METAL SALES MANUFACTURING CORP.	
BALA SOCKALINGAM, PH.D., P.E.	545 SOUTH 3RD ST., SUITE 200	LOUISVILLE, KY 40202	
1216 N LANSING AVE, SUITE C	PHONE: 918-492-5992	FAX: 866-366-1543	
TULSA, OK 74106	502-855-4300		

DRAWN BY:	CHECKED BY:
B.S.	D.S.
PLLOT:	DATE:
	3/25/15

DRAWING NO.	REV.
2009-9A	
PAGE NO.	
1	2



FASTENER PATTERN 1

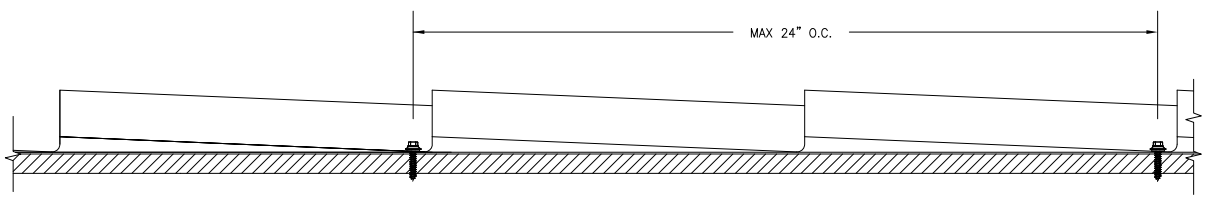


FASTENER PATTERN 2

TYPICAL PANEL INSTALLATION X-SECTION

ALLOWABLE UPLIFT PRESSURE

FASTENER PATTERN	PANEL FASTENERS SPACING ALONG LENGTH	PRESSURE (PSF)
1	36"	50.4
1	24"	106.8
2	12"	149.6



TYPICAL FASTENER SPACING

GENERAL NOTES:

1. ARCHITECTURAL ROOF PANEL HAS BEEN DESIGNED IN ACCORDANCE WITH THE FLORIDA BUILDING CODE (FBC).
2. ALL ROOF PANELS ARE 40 KSI, 26 GA. (t = 0.0179"). STEEL EFFECTIVE COVERING WIDTH OF PANEL = 39.4".
3. THE ROOF PANELS SHALL BE INSTALLED OVER SHEATHING & STRUCTURE AS SPECIFIED ON THIS DRAWING.
4. REQUIRED DESIGN WIND LOADS SHALL BE DETERMINED FOR EACH PROJECT. THIS PANEL SYSTEM MAY NOT BE INSTALLED WHEN THE REQUIRED DESIGN WIND LOADS ARE GREATER THAN THE ALLOWABLE WIND LOADS SPECIFIED ON THIS DRAWING.
5. ALL FASTENERS MUST BE IN ACCORDANCE WITH THIS DRAWING & THE FLORIDA BUILDING CODE. IF A DIFFERENCE OCCURS BETWEEN THE MINIMUM REQUIREMENTS OF THIS DRAWING & THE CODE, THE CODE SHALL CONTROL.
6. RAFTERS/JOISTS/TRUSSES MUST BE DESIGNED TO WITHSTAND WIND LOADS AS REQUIRED FOR EACH APPLICATION AND ARE THE RESPONSIBILITY OF OTHERS.

DRAWN BY: B.S.	CHECKED BY: D.S.
DATE: 3/25/15	
NO.	REVISION DESCRIPTION

DRAWING TITLE
STILE PANEL

CONSULTANTS
BALA SOCKALINGAM, PH.D., P.E.
1216 N LANSING AVE, SUITE C
TULSA, OK 74106
PHONE: 918-492-5992 FAX: 918-492-5992

MANUFACTURER
METAL SALES MANUFACTURING CORP.
545 SOUTH 3RD ST., SUITE 200
LOUISVILLE, KY 40202
502-855-4300