

**EVALUATION REPORT OF
METAL SALES MANUFACTURING CORPORATION
'24 GA. MAGNA-LOC PANEL'**

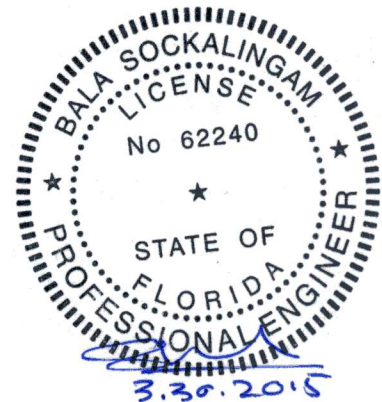
**FLORIDA BUILDING CODE 5TH EDITION (2014)
FLORIDA PRODUCT APPROVAL
FL 11560.6-R2
ROOFING
METAL ROOFING**

**Prepared For:
Metal Sales Manufacturing Corporation
545 South 3rd Street, Suite 200
Louisville, KY 40202
Telephone: (502) 855-4300
Fax: (502) 855-4290**

**Prepared By:
Bala Sockalingam, Ph.D., P.E.
Florida Professional Engineer #62240
1216 N Lansing Ave., Suite C
Tulsa, OK 74106
Telephone: (918) 492-5992
FAX: (866) 366-1543**

**This report consists of
Evaluation Report (3 Pages including cover)
Installation Details (1 Page)**

**Report No. C2009-6
Date: 3.30.15**



Manufacturer: Metal Sales Manufacturing Corporation

Product Name: Magna-Loc

Panel Description: Standing seam panel with 16" wide coverage and 2" high ribs

Materials: Min. 24 ga., 50 ksi steel. Galvanized coated steel (ASTM A653) or Galvalume coated steel (ASTM A792) or painted steel (ASTM A755).

Deck Description: Min. 19/32" plywood for new and existing constructions. Designed and installed as per FBC 2014.

Deck Attachment: Minimum attachment: 8d x 2.5" long ring shank nails or #8 x 2" long wood screws @ 6" o.c. in the plywood field and edges.
Deck fastener spacing @ 3" o.c. in the plywood field and edges in roof zones installed with MPW-1203-8 clip.

Underlayment: Minimum underlayment as per FBC 2014 Section 1507.4.5.1

Slope: 1/4:12 or greater in accordance with FBC 2014 Section 1507.4.2

Design Uplift Pressure: 95.2 psf @ MC 1203 clip spacing of 30" o.c.
101.0 psf @ MC 1203 clip spacing of 15" o.c.
123.5 psf @ MC 1203 clip spacing of 8" o.c.
166.0 psf @ MPW-1203-8 clip spacing of 12" o.c.

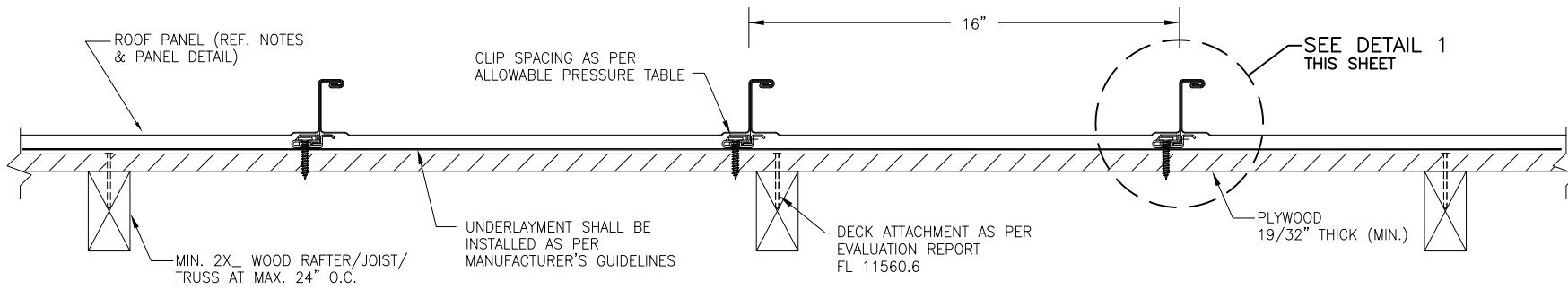
Panel Attachment: MC 1203 clip with (2) #12-11 x 1-1/2" long low profile wood screws per clip
MPW-1203-8 clip with (4) #12-11 x 1-1/2" long low profile wood screws per clip

Test Standards: Roof assembly tested in accordance with TAS 125-03 'Standard Requirements for Metal Roofing Systems'.

Code Compliance: The product described herein has demonstrated compliance with FBC 2014 Section 1507.4

Product Limitations: Design wind loads shall be determined for each project in accordance with FBC 2014 Section 1609 or ASCE 7-10 using allowable stress design. The maximum fastener spacing listed herein shall not be exceeded. This evaluation report is not applicable in High Velocity Hurricane Zone. Fire classification is not within scope of this Evaluation Report. Refer to FBC 2014 Section 1505 and current approved roofing materials directory or ASTM E108/UL790 report from an accredited laboratory for fire ratings of this product.

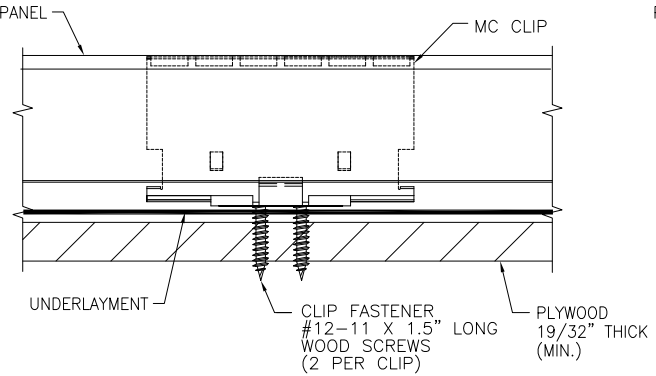
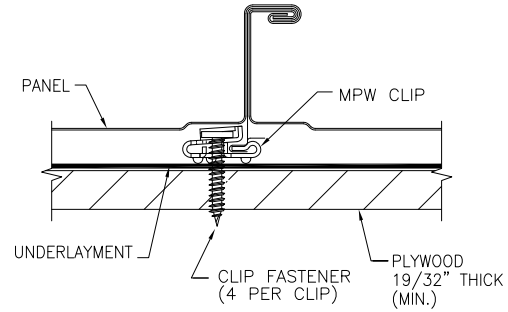
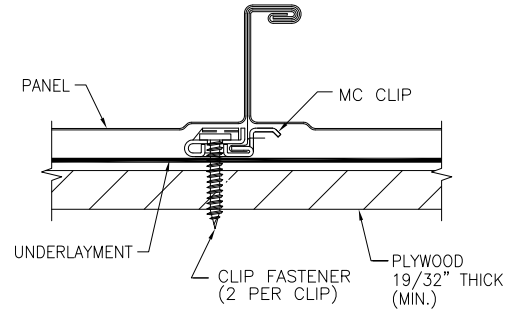
Supporting Documents: TAS 125 Test Reports
Farabaugh Engineering and Testing Inc
Project No. T242-08, Reporting Date 8/25/08
Project No. T292-14, Reporting Date 9/19/14



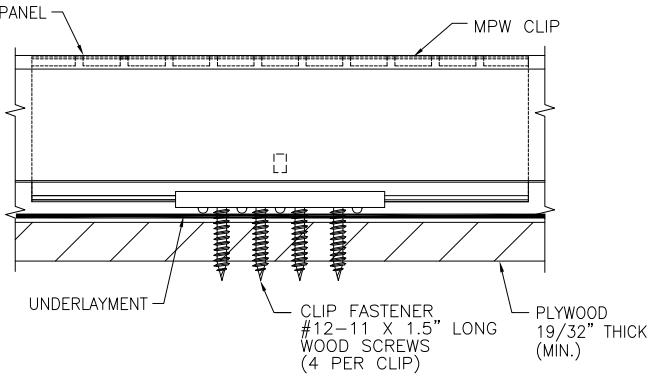
TYPICAL PANEL INSTALLATION X-SECTION

ALLOWABLE UPLIFT PRESSURE

CLIP TYPE	CLIP SPACING	PRESSURE (PSF)
MC 1203	30"	95.2
MC 1203	15"	101.0
MC 1203	8"	123.5
MPW-1203-8	12"	166.0

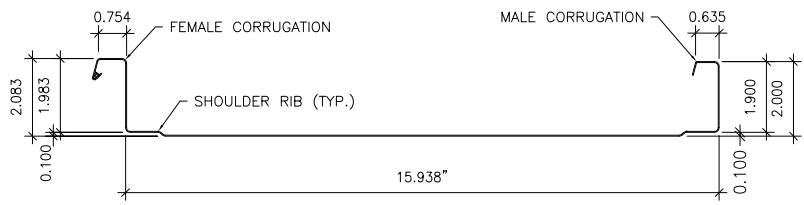


CLIP SIDE VIEW



CLIP SIDE VIEW

**CLIP SECTION VIEW
DETAIL 1**



**PANEL SECTION
(MIN 24 GA.)**

GENERAL NOTES:

1. ARCHITECTURAL STANDING SEAM ROOF PANEL HAS BEEN DESIGNED IN ACCORDANCE WITH THE FLORIDA BUILDING CODE (FBC).
2. ROOF PANELS SHALL BE MIN. 24 GA. (t = 0.022"). EFFECTIVE COVERING WIDTH OF PANEL = 16".
3. THE ROOF PANELS SHALL BE INSTALLED OVER STRUCTURE AS SPECIFIED ON THIS DRAWING.
4. REQUIRED DESIGN WIND LOADS SHALL BE DETERMINED FOR EACH PROJECT. THIS PANEL SYSTEM MAY NOT BE INSTALLED WHEN THE REQUIRED DESIGN WIND LOADS ARE GREATER THAN THE ALLOWABLE WIND LOADS SPECIFIED ON THIS DRAWING.
5. CLIPS AND FASTENERS MUST BE IN ACCORDANCE WITH THIS DRAWING & FLORIDA BUILDING CODE. IF A DIFFERENCE OCCURS BETWEEN THE MINIMUM REQUIREMENTS OF THIS DRAWING & THE CODE, THE CODE SHALL CONTROL.
6. PURLINS/JOISTS/TRUSSES MUST BE DESIGNED TO WITHSTAND WIND LOADS AS REQUIRED FOR EACH APPLICATION AND ARE THE RESPONSIBILITY OF OTHERS.

DRAWN BY: B.S.	CHECKED BY: D.S.	PLOT:	DATE: 3/30/15
NO.	REVISION DESCRIPTION	BY	DATE
<p>DRAWING TITLE 24 GA. MAGNA-LOC STANDING SEAM PANEL</p> <p>CONSULTANTS BALA SOCKALINGAM, PH.D., P.E.</p> <p>MANUFACTURER METAL SALES MANUFACTURING CORP. 545 SOUTH 3RD ST., SUITE 200 LOUISVILLE, KY 40202 502-855-4300</p> <p>1216 N LANSING AVE, SUITE C TULSA, OK 74106 PHONE: 918-492-5992 FAX: 866-366-1943</p>			
DRAWING NO. 2009-6	REV.	PAGE NO. 1 OF 1	