

**EVALUATION REPORT OF  
METAL SALES MANUFACTURING CORPORATION  
'MAGNA-LOC PANEL'**

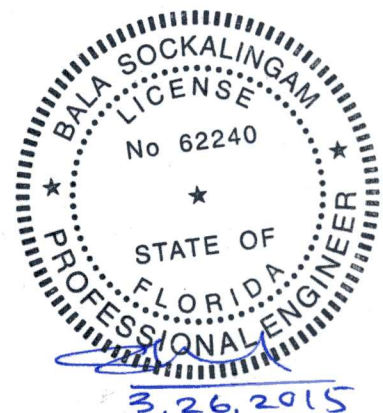
**FLORIDA BUILDING CODE 5<sup>TH</sup> EDITION (2014)  
FLORIDA PRODUCT APPROVAL  
FL 10999.5-R2  
STRUCTURAL COMPONENTS  
ROOF DECK**

**Prepared For:  
Metal Sales Manufacturing Corporation  
545 South 3<sup>rd</sup> Street, Suite 200  
Louisville, KY 40202  
Telephone: (502) 855-4300  
Fax: (502) 855-4290**

**Prepared By:  
Bala Sockalingam, Ph.D., P.E.  
Florida Professional Engineer #62240  
1216 N Lansing Ave., Suite C  
Tulsa, OK 74106  
Telephone: (918) 492-5992  
FAX: (866) 366-1543**

**This report consists of  
Evaluation Report (2 Pages including cover)  
Installation Details (1 Page)  
Load Span Table (1 Page)**

**Report No. C2000-5  
Date: 3.25.15**



Manufacturer: Metal Sales Manufacturing Corporation

Product Name: Magna-Loc

Panel Description: Standing seam panel with 16" wide coverage and 2" high ribs

Materials: Min. 24 ga., 50 ksi steel. Galvanized coated steel (ASTM A653) or Galvalume coated steel (ASTM A792) or painted steel (ASTM A755)

Support Description: Min. 16 ga., 50 ksi steel section (Must be designed by others)

Slope: 1/4:12 or greater in accordance with FBC 2014 Section 1507.4.2.

Design Uplift Pressure: 51.0 psf @ clip spacing of 60" o.c. with 24 ga. panel  
146.7 psf @ clip spacing of 12" o.c. with min. 24 ga. panel  
73.7 psf @ clip spacing of 60" o.c. with 22 ga. panel

Panel Attachment: MC 1203 clip with (2) 1/4"-14 x 1-1/2" long SDS per clip.

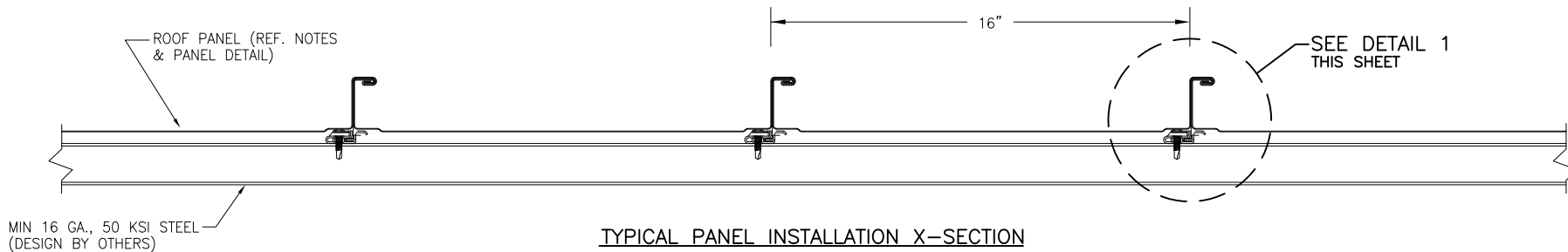
Test Standards: Roof assembly tested in accordance with ASTM E1592-05 'Test Method for Structural Performance of Sheet Metal Roof and Siding Systems by Uniform Static Air Pressure Difference' and FM 4470 Section 5.5 'Resistance to Foot Traffic'.

Code Compliance: The product described herein has demonstrated compliance with FBC 2014 Section 1507.4

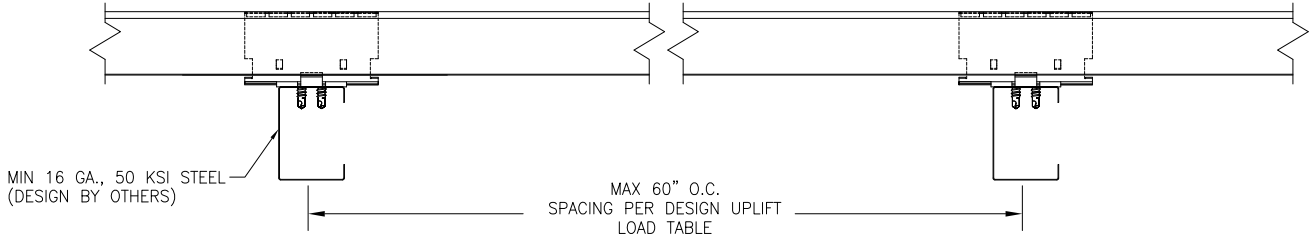
Product Limitations: Design wind loads shall be determined for each project in accordance with FBC 2014 Section 1609 or ASCE 7-10 using allowable stress design. The maximum support spacing listed herein shall not be exceeded. The design pressure for reduced clip spacing may be computed using rational analysis prepared by a Florida Professional Engineer or based on Metal Sales load span table. This evaluation report is not applicable in High Velocity Hurricane Zone. Fire classification is not within scope of this Evaluation Report. Refer to FBC 2014 Section 1505 and current approved roofing materials directory or ASTM E108/UL790 report from an accredited laboratory for fire ratings of this product.

Supporting Documents: ASTM E1592 Test Reports  
ENCON Technology Inc.  
C1665-1 & 2, Reporting Date 11/6/09

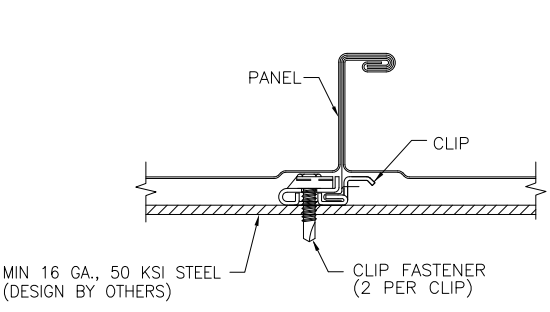
FM 4470 Test Report  
ENCON Technology Inc  
C1587-4, Reporting Date 6/30/08



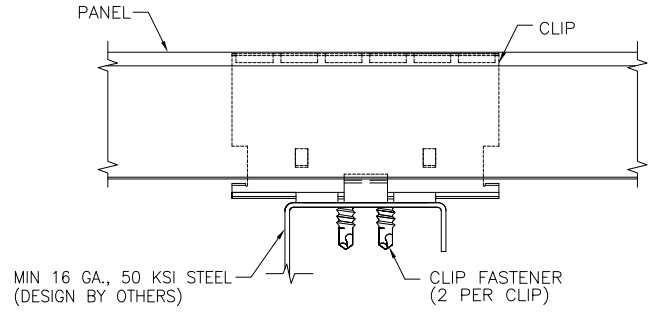
**TYPICAL PANEL INSTALLATION X-SECTION**



**TYPICAL SIDE VIEW**

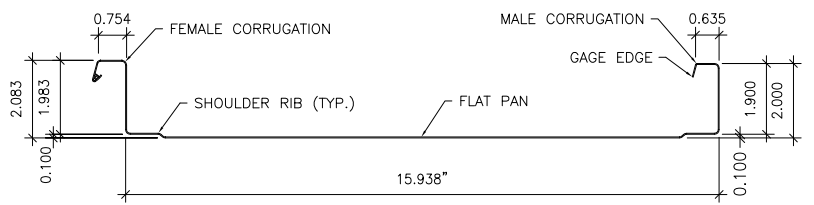


**CLIP SECTION VIEW**



**CLIP SIDE VIEW**

**DETAIL 1**



**PANEL SECTION**  
(MIN 24 GA.)

**GENERAL NOTES:**

1. STRUCTURAL ROOF PANEL HAS BEEN DESIGNED IN ACCORDANCE WITH THE FLORIDA BUILDING CODE (FBC).
2. ROOF PANELS SHALL BE 24 GA. (t = 0.022") OR 22 GA. (t = 0.028"). EFFECTIVE COVERING WIDTH OF PANEL = 16".
3. THE ROOF PANELS SHALL BE INSTALLED OVER STRUCTURE AS SPECIFIED ON THIS DRAWING.
4. REQUIRED DESIGN WIND LOADS SHALL BE DETERMINED FOR EACH PROJECT. THIS PANEL SYSTEM MAY NOT BE INSTALLED WHEN THE REQUIRED DESIGN WIND LOADS ARE GREATER THAN THE ALLOWABLE WIND LOADS SPECIFIED ON THIS DRAWING.
5. CLIPS AND FASTENERS MUST BE IN ACCORDANCE WITH THIS DRAWING & FLORIDA BUILDING CODE. IF A DIFFERENCE OCCURS BETWEEN THE MINIMUM REQUIREMENTS OF THIS DRAWING & THE CODE, THE CODE SHALL CONTROL.
6. PURLINS/JOISTS/TRUSSES MUST BE DESIGNED TO WITHSTAND WIND LOADS AS REQUIRED FOR EACH APPLICATION AND ARE THE RESPONSIBILITY OF OTHERS.

DRAWN BY: B.S.	CHECKED BY: D.S.
DATE: 3/20/15	
NO.	REVISION DESCRIPTION
BY	DATE
DRAWING TITLE <b>MAGNA-LOC STANDING SEAM ROOF PANEL</b>	
CONSULTANTS <b>BALA SOCKALINGAM, PH.D., P.E.</b>	MANUFACTURER <b>METAL SALES MANUFACTURING CORP.</b>
1216 N LANSING AVE, SUITE C TULSA, OK 74106 PHONE: 918-492-5992 FAX: 866-366-1543	545 SOUTH 3RD ST., SUITE 200 LOUISVILLE, KY 40202 502-855-4300
DRAWING NO. <b>2000-5</b>	REV.
PAGE NO. <b>1</b>	OF <b>1</b>